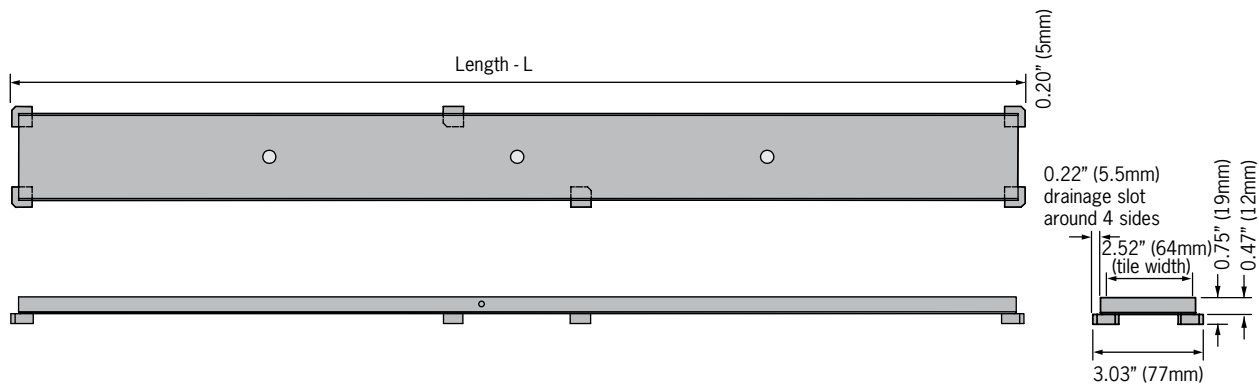


# Shower Channel - Tile Grate



## Product Table

Length (mm) inches	700 27.55	800 31.50	900 35.43	1000 39.37	1200 47.24	1400 55.12	Replacement grate lifting key
Width (mm) inches	77 3.03	77 3.03	77 3.03	77 3.03	77 3.03	77 3.03	n/a
Part No. Electro-polished	37335	37338	37336	37334	37332	37419	37339
Part No. Oil-rubbed bronze	37327	37300	37331	37323	37310	37298	37339
Weight lbs	1.7	2.0	2.2	2.5	2.9	3.3	0.1
Intake area sq. in.	13.00	14.69	16.42	18.10	21.50	24.9	n/a

## Specification Clause

The QuARTz ACO ShowerDrain channel and Tile grate system shall be stainless steel grade 304 manufactured by ACO Polymer Products, Inc. USA.

The surface finish shall be Electropolished\* OR Oil Rubbed Bronze\*.

Grate shall be 3.03" (77mm) wide, with length as specified on Architects plans / Architects specification.

Shower channel shall be Plain Edge OR Flanged Edge. (See separate Spec Info Sheet for details)

ACO recommends checking local plumbing codes prior to installation.

The system shall be installed in accordance with the manufacturer's instructions and recommendations.

### ACO Polymer Products, Inc.

**West Sales Office**  
825 W. Beechcraft St.  
Casa Grande, AZ 85122  
Tel: (520) 421-9988  
Toll Free: (888) 490-9552  
Fax: (520) 421-9899

**East Sales Office**  
9470 Pinecone Dr.  
Mentor, OH 44060  
Tel: (440) 639-7230  
Toll free: (800) 543-4764  
Fax: (440) 639-7235

**Southeast Sales Office**  
4211 Pleasant Rd  
Ft. Mill, SC 29708  
Tel: (800) 543-4764  
Toll Free: (800) 662-2377  
Fax: (803) 802-1063

Follow us on  


  
**Electronic Contact:**  
 info@QuARTzbyACO.com  
 www.QuARTzbyACO.com

