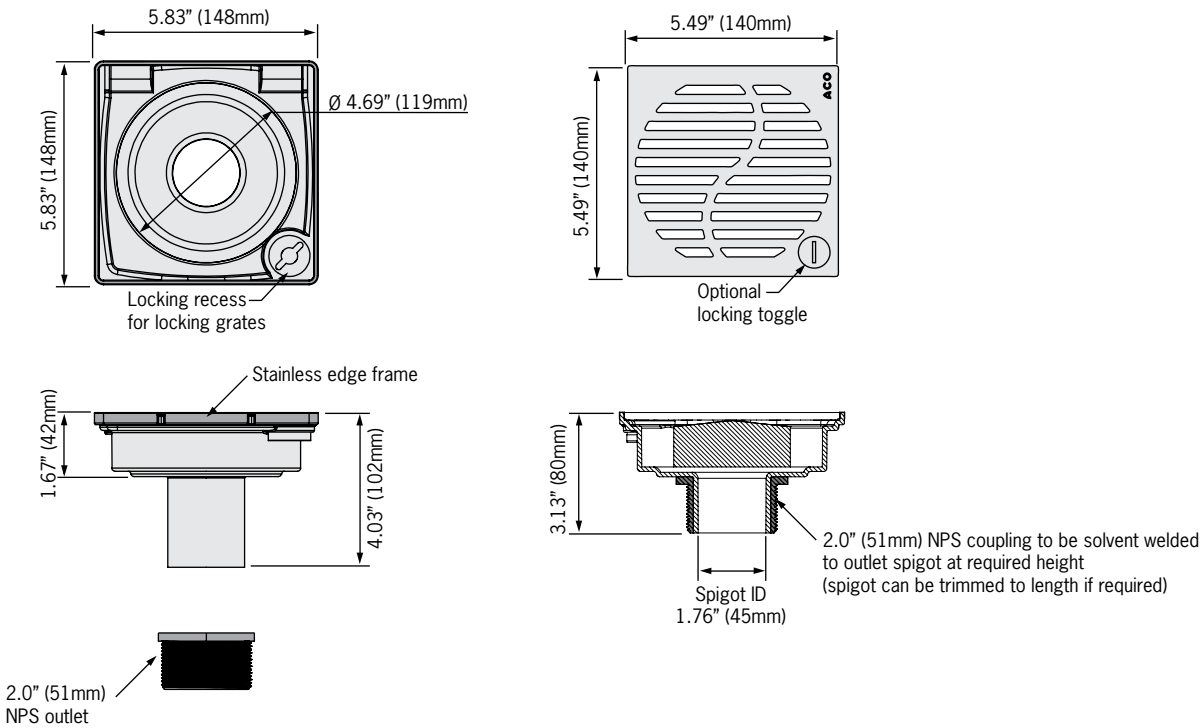


ShowerPoint with Wave grate



Product Table

Length (mm) inches	ShowerPoint body w/ Wave locking grate	ShowerPoint body w/ Wave non-locking grate	Optional LED light Red	Optional LED light Green	Optional LED light Blue	Optional LED light White
Part No.	37234	37221	37286	37258	37259	37257
Weight lbs	1.6	1.6	0.5	0.5	0.5	0.5

Specification Clause

The QuARTz by ACO ShowerPoint shower outlet body shall be chrome plated ABS plastic as manufactured by ACO Polymer Products, Inc. USA.

A decorative stainless steel edge frame shall also be provided. The locking*/ non-locking* grate shall be manufactured from grade 304 stainless steel with 'Wave' slot style.

Shower outlet shall be 5.83" (148mm) square, with 50mm (2.0") diameter outlet spigot (O.D.). Grate shall provide a minimum intake area of 8.7 square inches. Outlet shall provide minimum outlet flow rate of 17.4GPM where installed to allow 0.2" (5mm) head of water OR 31.7GPM where installed to allow 0.6" (15mm) head of water.

Connection to plumbing shall be either with 2" NPS threaded coupling (supplied with outlet) that shall be solvent welded to outlet spigot*/ 2" no-hub adjustable coupling (available from ACO or others)*, or a solvent weld connection*.

ACO recommends checking local plumbing codes prior to installation.

The system shall be installed in accordance with the manufacturer's instructions and recommendations.

ACO Polymer Products, Inc.

West Sales Office
825 W. Beechcraft St.
Casa Grande, AZ 85122
Tel: (520) 421-9988
Toll Free: (888) 490-9552
Fax: (520) 421-9899

East Sales Office
9470 Pinecone Dr.
Mentor, OH 44060
Tel: (440) 639-7230
Toll free: (800) 543-4764
Fax: (440) 639-7235

Southeast Sales Office
4211 Pleasant Rd
Ft. Mill, SC 29708
Tel: (800) 543-4764
Toll Free: (800) 662-2377
Fax: (803) 802-1063

Follow us on



Electronic Contact:
info@QuARTzbyACO.com
www.QuARTzbyACO.com

