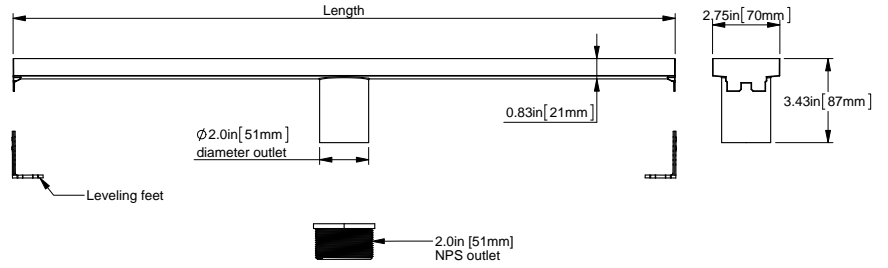


ACO ShowerDrain

January 2017 Price List



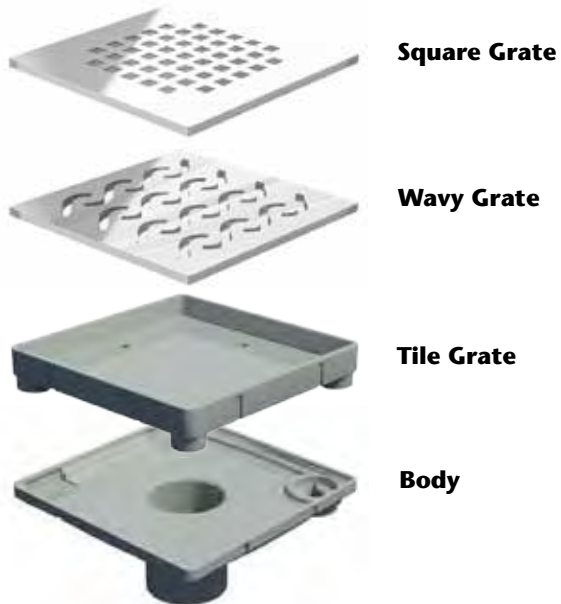
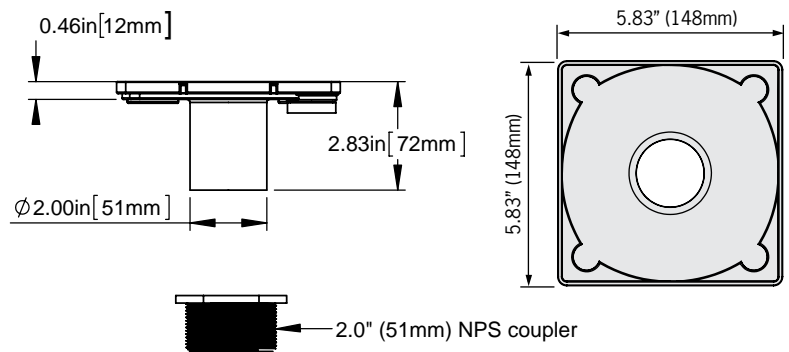
ACO ShowerDrain Shower Channel



Stainless Steel Strainer




ACO ShowerDrain Point Drain



ACO ShowerDrain
with Wavy grate

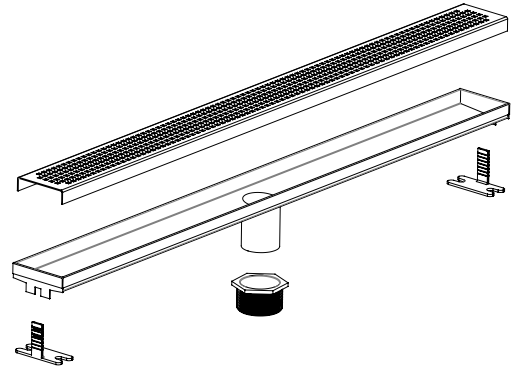
ACO ShowerDrain Linear Drains

Description	Price \$	Part No.	Length inches (mm)	Wgt lbs
Square Linear ShowerDrain - Square	132.00	37245	27.0" (686)	4.0
Linear ShowerDrain - Wavy	132.00	37244	27.0" (686)	4.0
Linear ShowerDrain - Tile	132.00	37085	27.0" (686)	3.5
Wavy Linear ShowerDrain - Square	158.00	37243	36.0" (914)	4.0
Linear ShowerDrain - Wavy	158.00	37241	36.0" (914)	4.0
Linear ShowerDrain - Tile	158.00	37086	36.0" (914)	3.5
Tile Linear ShowerDrain - Square	184.00	37242	48.0" (1219)	5.0
Linear ShowerDrain - Wavy	184.00	37240	48.0" (1219)	5.0
Linear ShowerDrain - Tile	184.00	37087	48.0" (1219)	4.5
 Strainer - Stainless Steel	33.00	37381	-	0.1

ACO ShowerDrain is available in complete units only. The channel is ABS and the grates are 304 stainless steel. Three lengths and three grate design options are available. The units come with a 2" threaded coupling that is compatible with most standard 2" shower drain flanges, thus making the product universal and easy to install in any application.

Complete unit includes:

- Stainless steel grate
- ABS channel
- Leveling feet
- 2" threaded coupling



ACO ShowerDrain Point Drains

Description	Price \$	Part No.	Length inches (mm)	Wgt lbs
Square ShowerPoint - Square*	147.00	37078	6" square	3.0
Wavy ShowerPoint - Wavy*	147.00	37080	6" square	3.0
Tile ShowerPoint - Tile*	53.00	37100	6" square	2.0

* Stainless steel strainer is not compatible with ACO ShowerDrain Point Drains.



ACO ShowerDrain Point Drain with Square grate.

ACO Terms and Conditions

PAYMENT - All pricing is in U.S. Dollars.

TERMS - Net 30 days from date of invoice. A service charge of 1.5% per month will be charged on all invoices unpaid 30 days after invoice date (equal to 18% annually).

SUPPLY - All purchase orders will have a 24 to 48 hour processing time.

FREIGHT - F.O.B. ACO.

- Prepaid on orders in the Continental United States of \$1,000 NET or more. Excludes custom orders and orders shipping to Alaska, Hawaii and Export.

MISSING MATERIAL - Missing material must be reported to ACO's Customer Service Department within 48 hours of receipt of shipment.

DAMAGED MATERIAL - Damaged material must be noted on Bill of Lading at final destination point. The receiver must file a freight claim with the carrier. ACO is not responsible for material damaged in transit.

TAXES - All State and Federal taxes are additional.

CHANGES - ACO Polymer Products, Inc. reserves the right to change prices, design, and materials of any products listed at any time.

RETURNS - Purchased material must be returned within 90 days of initial receipt. Returned material is subject to a 35% restocking charge. Prior return authorization (RGA) must be obtained from ACO before any material is shipped. Returned material is subject to the following conditions:

- All returned material should be in resale condition.
- Material must be returned to ACO within 30 days of receipt of RGA.
- All freight costs are the responsibility of those returning material.
- Products damaged in shipment to QuARTz ACO ShowerDrain will noted be on Bill of Lading and customer will be notified in order to process their claim with their carrier.

Non-standard material cannot be returned for credit.

WARRANTY - ACO Polymer Products provides a limited one year warranty from installation or two years from date of purchase, whichever comes first, on QuARTz ACO ShowerDrain products, parts and accessories provided that:

- QuARTz ACO ShowerDrain products have been installed according to the installation instructions as described in the current ACO Installation Manual.
- QuARTz ACO ShowerDrain products have been used for a bathroom application, and the unit and its components have not been altered or changed from its original factory condition in any way.

ACO Polymer Products, Inc.

West Sales Office

825 W Beechcraft St
Casa Grande, AZ 85122
Tel: 866.809.4506
Fax: 520.421.9899

Northeast Sales Office

9470 Pinecone Dr
Mentor, OH 44060
Tel: 800.543.4764
Fax: 440.639.7235

Southeast Sales Office

4211 Pleasant Rd
Fort Mill, SC 29708
Tel: 800.543.4764
Fax: 803.802.1063

Electronic Contact

info@quartzbyaco.com
www.quartzbyaco.com

Follow us on:

