

DRWG# 1826

Date: 7.28.09

WWW.ACOUSA.COM

QuARTz By ACO INSTALLATION DRAWING

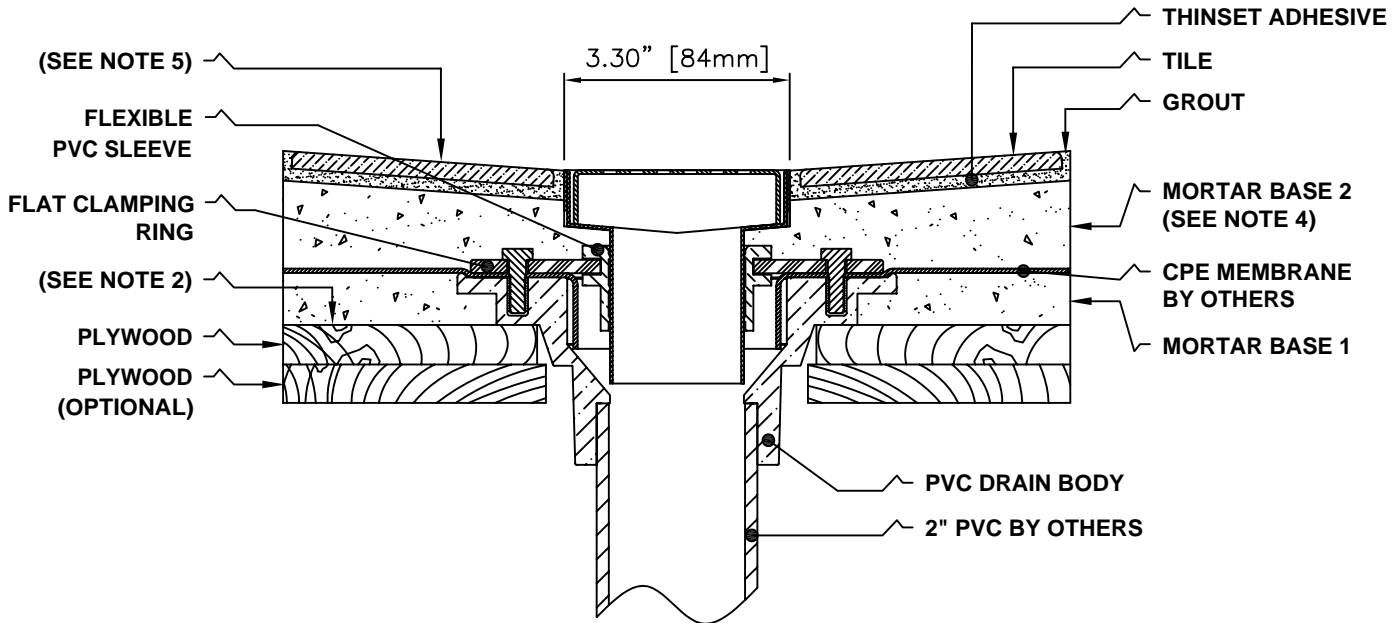
Shower Channel Joisted Wood Floor Installation

ACO Polymer Products Inc.



825 W. Beechcraft St.
P.O. Box 12067
Casa Grande, AZ 85122
PH: 520-421-9988
FX: 520-421-9899

12080 Ravenna Road
P.O. Box 245
Chardon, OH 44024
PH: 440-285-7000
FX: 440-285-8517



NOTES:

1. Floor (Plywood) / Joist structure should be sufficient strength to take weight of finished shower base.
2. Tar paper should be stapled to the plywood floor before being covered with a galvanized metal mesh.
3. Water test shower base 24 hours after CPE membrane is fitted.
4. Mortar base "2" plus tile and adhesive should be no less than 1-1/2" (40mm)
5. Finished shower floor should slope a minimum of 1% (1/8" per 1ft) to the shower channel.
6. Refer to ACO's latest installation instructions for complete details.

DRWG# 1826

Date: 7.28.09

WWW.ACOUSA.COM

QuARTz By ACO SPECIFICATION CLAUSE

Shower Channel Joisted Wood Floor Installation

ACO Polymer Products Inc.



825 W. Beechcraft St.
P.O. Box 12067
Casa Grande, AZ 85122
PH: 520-421-9988
FX: 520-421-9899

12080 Ravenna Road
P.O. Box 245
Chardon, OH 44024
PH: 440-285-7000
FX: 440-285-8517

The QuARTz by ACO shower channel and grate system shall be stainless steel grade 304 manufactured by ACO Polymer Products, Inc. USA. The surface finish shall be *____(choose one)_____

Shower channels shall be 3-5/16" (84mm) wide, with length as specified on Architects plans / Architects specification. Outlet spigot (O.D.) diameter shall be 50mm [1.968"]

The PVC drain body system [to provide connection to S/S spigot of shower channel and plumbing pipe system] shall be supplied by ACO Polymer Products Inc. This PVC drain body will provide clamping ability for CPE membrane. (supplied by others)

ACO recommends checking local plumbing codes prior to installation.

The system shall be installed in accordance with the manufacturer's instructions and recommendations.

*Electropolished OR Oil Rubbed Bronze