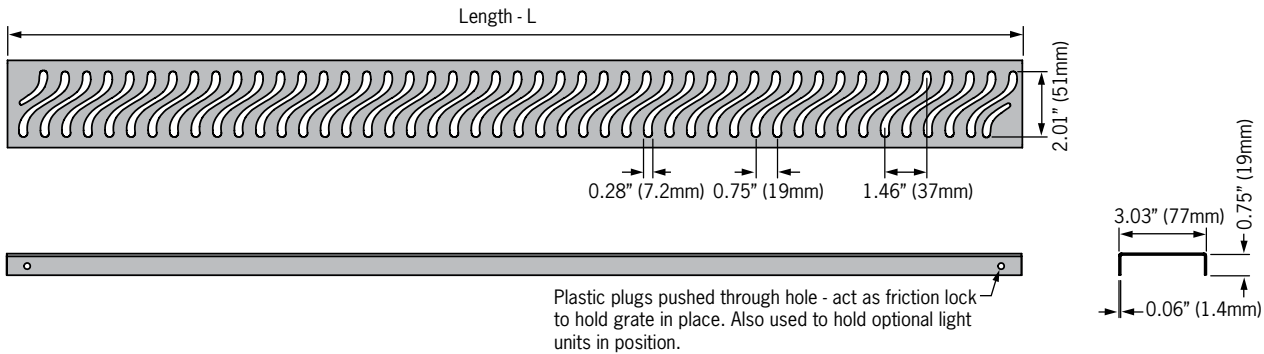


Shower Channel - Flag Grate



Product Table

Length (mm) inches	700 27.55	800 31.50	900 35.43	1000 39.37	1200 47.24	1400 55.12	Replacement grate lifting key
Width (mm) inches	77 3.03	77 3.03	77 3.03	77 3.03	77 3.03	77 3.03	n/a
Part No. Electro-polished	37369	37370	37371	37372	37373	37417	37339
Part No. Oil-rubbed bronze	37324	37306	37315	37322	37311	37296	37339
Weight lbs	1.6	1.8	2.1	2.2	2.8	3.4	0.1
Intake area sq. in.	21.33	25.10	28.85	31.36	36.37	41.38	n/a

Specification Clause

The QuARTz ACO ShowerDrain channel and Flag grate system shall be 1mm thick (20 gage) stainless steel grade 304 manufactured by ACO Polymer Products, Inc. USA.

The surface finish shall be Electropolished* OR Oil Rubbed Bronze* .

Grate shall be 3.03" (77mm) wide, with length as specified on Architects plans / Architects specification.

Shower channel shall be Plain Edge* OR Flanged Edge* . (See separate Spec Info Sheet for details)

ACO recommends checking local plumbing codes prior to installation.

The system shall be installed in accordance with the manufacturer's instructions and recommendations.

*Delete one

ACO Polymer Products, Inc.

West Sales Office
825 W. Beechcraft St.
Casa Grande, AZ 85122
Tel: (520) 421-9988
Toll Free: (888) 490-9552
Fax: (520) 421-9899

East Sales Office
9470 Pinecone Dr.
Mentor, OH 44060
Tel: (440) 639-7230
Toll free: (800) 543-4764
Fax: (440) 639-7235

Southeast Sales Office
4211 Pleasant Rd
Ft. Mill, SC 29708
Tel: (800) 543-4764
Toll Free: (800) 662-2377
Fax: (803) 802-1063

Follow us on



Electronic Contact:
 info@QuARTzbyACO.com
 www.QuARTzbyACO.com

