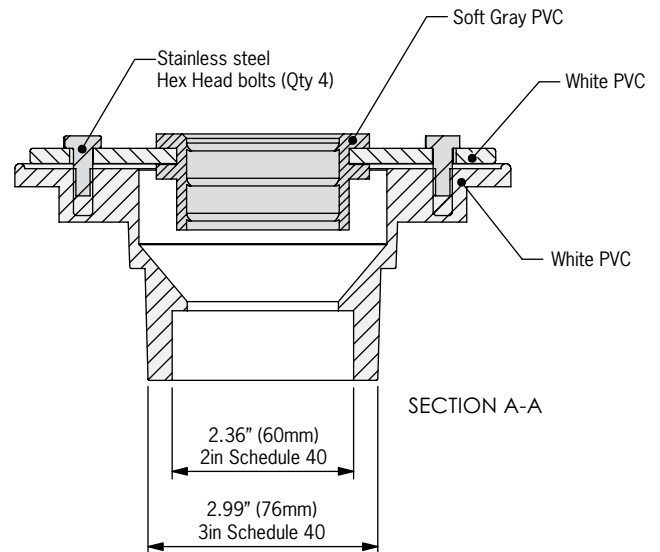
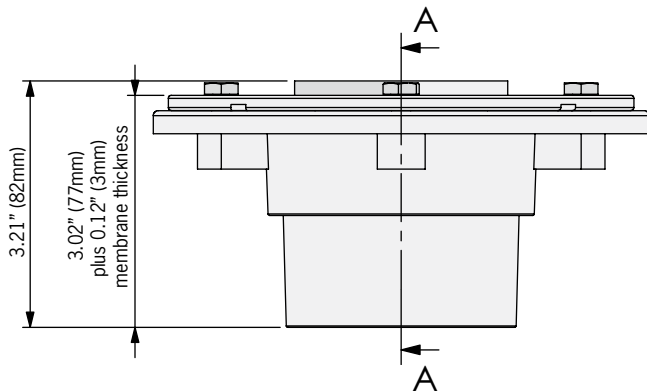
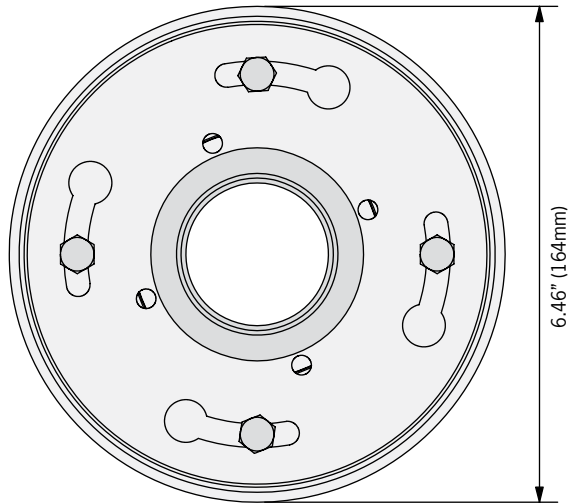
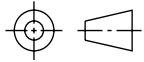


Shower Channel - CPE Membrane Coupling



Product Table

Description	Part No.	Weight
CPE membrane coupling	93871	1.1

ACO Polymer Products, Inc.

West Sales Office
 825 W. Beechcraft St.
 Casa Grande, AZ 85122
 Tel: (520) 421-9988
 Toll Free: (888) 490-9552
 Fax: (520) 421-9899

East Sales Office
 9470 Pinecone Dr.
 Mentor, OH 44060
 Tel: (440) 639-7230
 Toll free: (800) 543-4764
 Fax: (440) 639-7235

Southeast Sales Office
 4211 Pleasant Rd
 Ft. Mill, SC 29708
 Tel: (800) 543-4764
 Toll Free: (800) 662-2377
 Fax: (803) 802-1063

Follow us on



Electronic Contact:
info@QuARTzbyACO.com
www.QuARTzbyACO.com

